

4

3

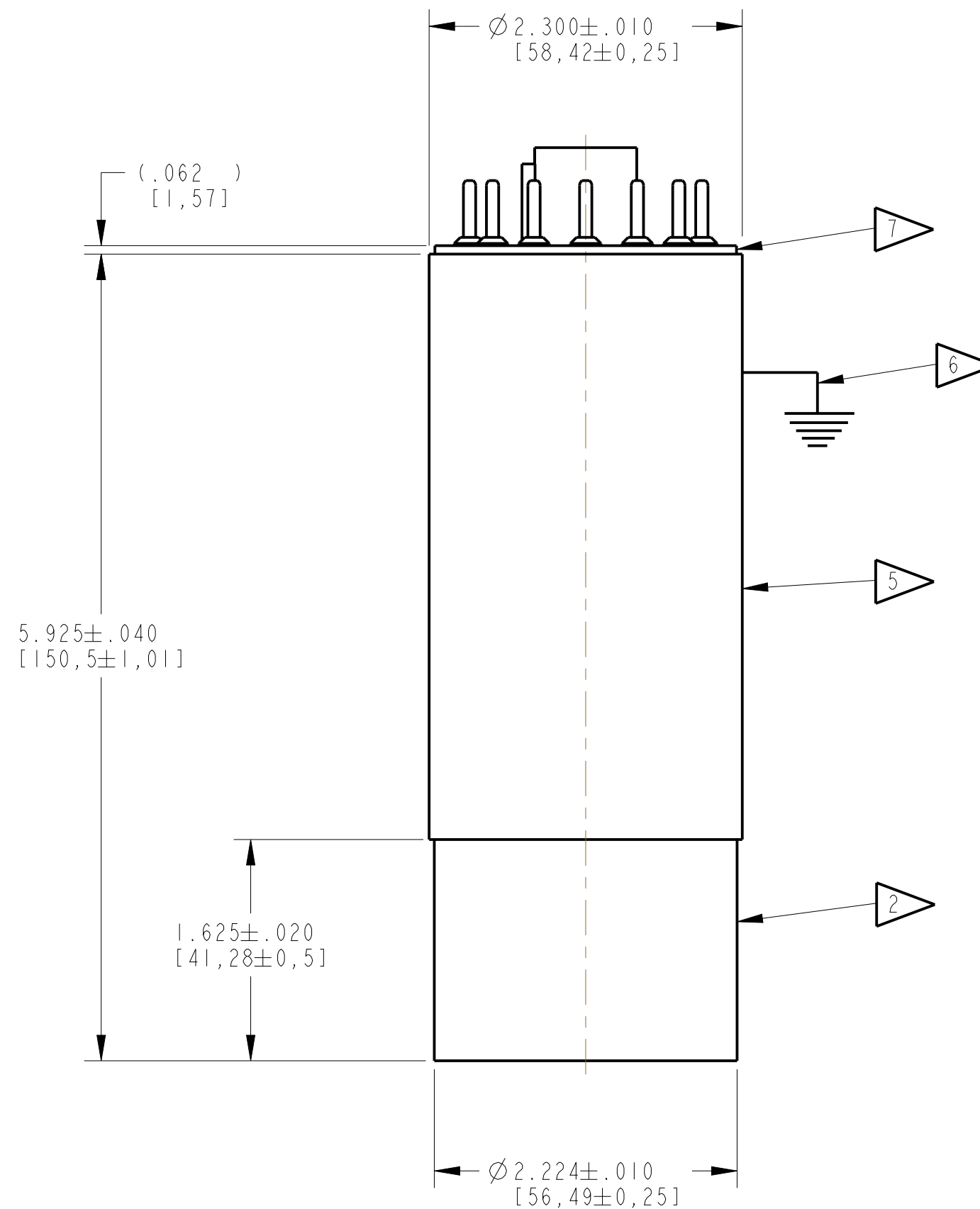
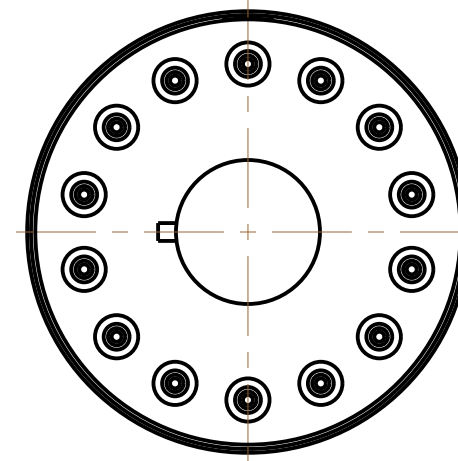
2

1

NOTES:

- 1. PRIMARY DIMENSIONS ARE IN INCHES, SECONDARY DIMENSIONS ARE IN MILLIMETERS
- 2. ALUMINUM CRYSTAL HOUSING
.020 [0,508] THK.
(CLEAR ALODINE FINISH)
- 3. NAI(TL) CRYSTAL
Ø2.000 [50,8] X 2.000 [50,8] THICK
- 4. Ø2.000 [50,8] STANDARD 8-STAGE PHOTOMULTIPLIER TUBE
HAMAMATSU R6231 OR EQUIV.
- 5. MU-METAL LIGHT SHIELD
.020 [0,508] THK.
(BARE METAL FINISH)
- 6. CATHODE PIN INTERNALLY GROUNDED TO MU-METAL LIGHT SHIELD
- 7. 14 PIN BASE
- 8. PERFORMANCE SPECIFICATION:
PHR: 8% OR BETTER FOR Cs-137 END-ON
HIGH VOLTAGE: +1000V TYPICAL

REVISIONS				
ZONE	REV.	DESCRIPTION	DATE	APPROVED
-	-	-	-	-



TOLERANCES UNLESS OTHERWISE SPECIFIED
.X ±.100
.XX ±.010
.XXX ±.005
ANGLES ±0° 30'
MICRO FINISH

125 ✓

CUSTOMER APPROVAL

APPROVED

APPROVED AS NOTED

REVISED & RESUBMIT

CUST. INIT. _____

DATE _____

ENGINEERING SALES DRAWING

DO NOT SCALE THIS DRAWING
THIS DWG IS IN ACCORDANCE WITH ASME1 Y-14.5M

DRAWN L. MARKS Nov-07-16

THIS DOCUMENT IS APPROVED AND MAINTAINED UNDER ELECTRONIC CONFIGURATION CONTROL

SAINT-GOBAIN
17900 Great Lakes Parkway, Hiram, OH 44234

TITLE MODEL: 2M2/2-X

SIZE	CAGE CODE	DWG. NO.	REV.
C		S600-8549	-

THIS PRINT IS THE EXCLUSIVE AND CONFIDENTIAL PROPERTY OF SAINT-GOBAIN CRYSTALS, A SUBSIDIARY OF SAINT-GOBAIN CERAMICS & PLASTICS, INC. AND IS NOT TO BE FURTHER REPRODUCED OR DISCLOSED TO ANOTHER PARTY WITHOUT PRIOR WRITTEN PERMISSION FROM SAINT-GOBAIN CRYSTALS. COPYRIGHT RESERVED, SAINT-GOBAIN CERAMICS & PLASTICS, INC. 2015

SCALE	WEIGHT	CALC.	ACT.	SHEET
1.000		<input type="checkbox"/>	<input type="checkbox"/>	1 OF 1

4

3

2

1

DWG. NO. S600-8549 SHEET REV. 1